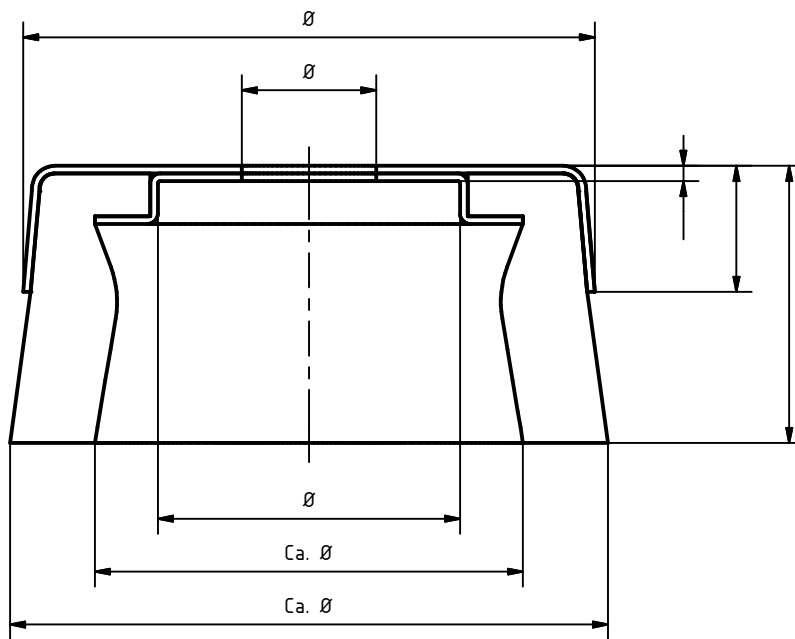


A-A



	For these "technical documents" according to ISO 16016 we reserve ourselves all rights.			Tolerance: DIN ISO 2768m	Scale:	Designation: Cup brush, TASO
	Material:			Date:	Name:	Dimensions:
State	Modification	Date	Name	Edit.	Verif.	Taso Art.Nr.:
				Norm	Customer Art.Nr.:	
				Drawing Nr.:		