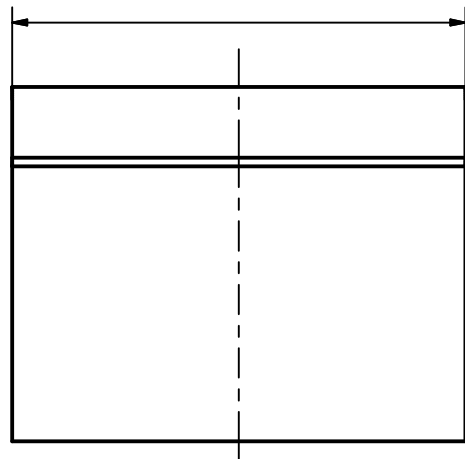
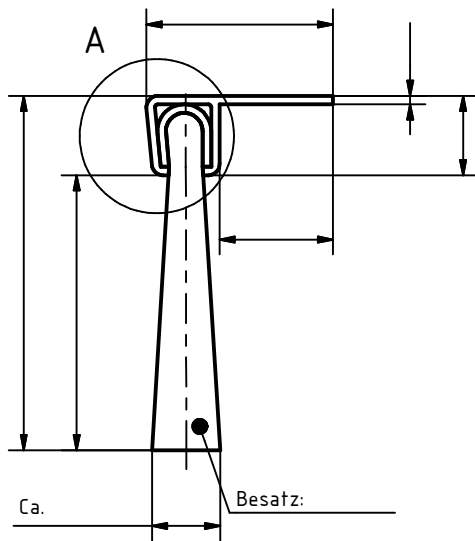
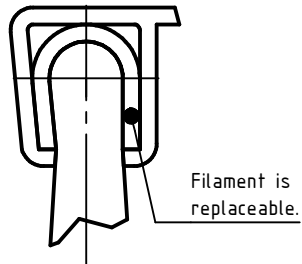
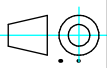
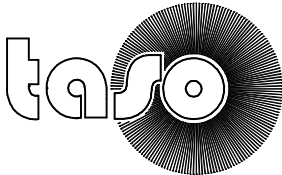


A



	For these "technical documents" according to ISO 16016 we reserve ourselves all rights.			Tolerance:		Scale:		Designation: Stripe brush with aluminium fixation profile, angled
				DIN ISO 2768m				
Material:				Date:		Name:		Dimensions:
				Edit.				
				Verif.				Taso Art.Nr.:
				Norm				
								Customer Art.Nr.:
State	Modification	Date	Name					