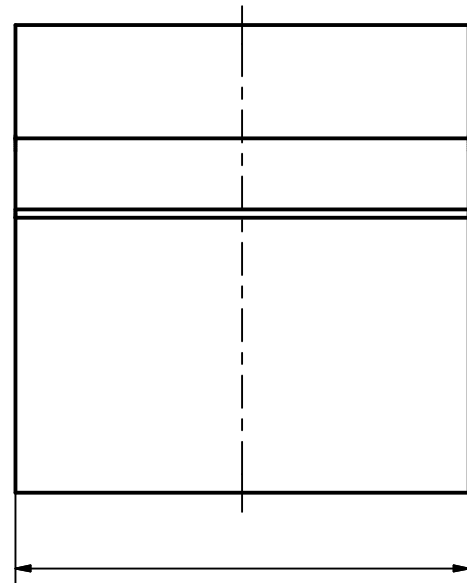
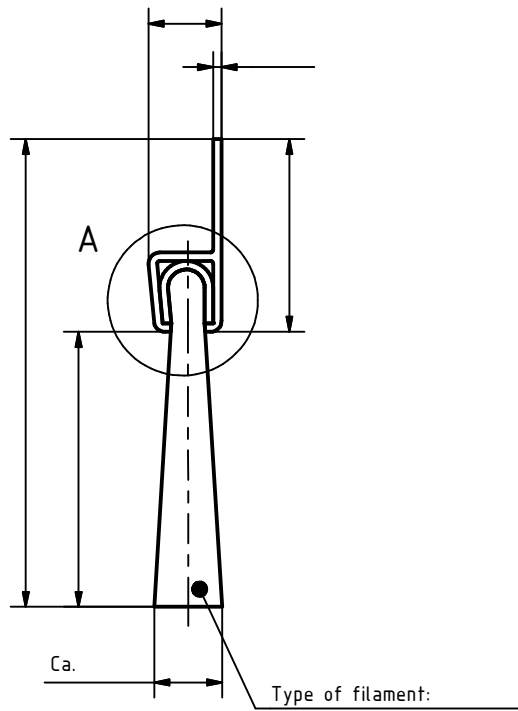
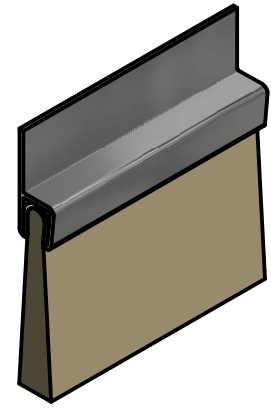
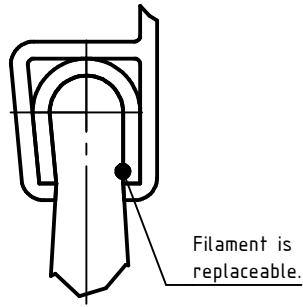
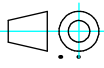
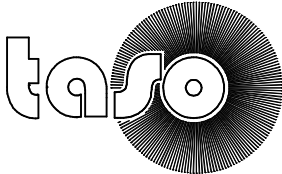


A



	For these "technical documents" according to ISO 16016 we reserve ourselves all rights.			Tolerance:		Scale:		Designation: Stripe brush with aluminium fixatoin profile, straight			
				DIN ISO 2768m							
Material:				Date:		Name:		Dimensions:			
				Edit.							
				Verif.				Taso Art.Nr.:			
				Norm							
										Customer Art.Nr.:	
										Drawing Nr.:	
State	Modification	Date	Name								